

Product information presented here reflects conditions at time of publication. Consult factory regarding discrepancies or inconsistencies.



TECHNICAL DATA SHEET

SEWAGE WASTE SERIES

Models X611, X621, X631, X641, X651, X661
 Submersible Sewage Pumps For Hazardous Locations
 Class I, Division 1, Groups C & D Rated
 Class I, Zone 1, Groups IIA & IIB

PRODUCT SPECIFICATIONS

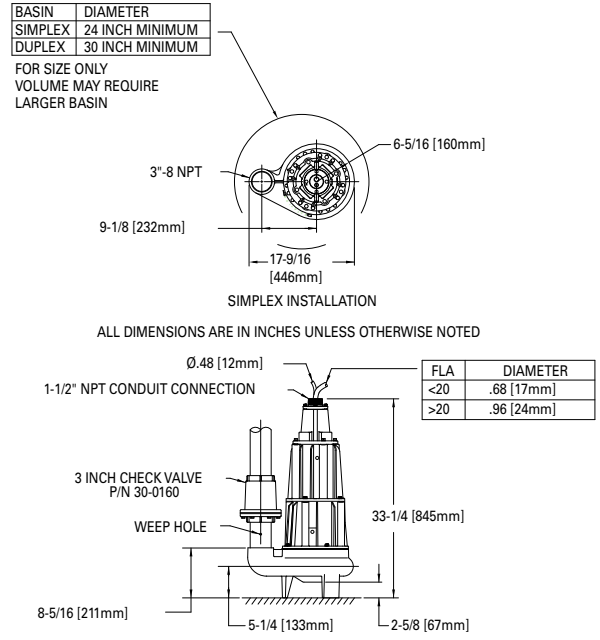
MOTOR	Horse Power	1 - 7-1/2	
	Voltage	230, 200 - 575	
	Phase	1, 3 Ph	
	Hertz	60 Hz	
	RPM	1750	
	Type	Capacitor start/capacitor run or 3 Ph	
	Insulation	Class F	
	Amps	1.7 - 28.0 Amps	
	PUMP	Operation	Nonautomatic
		Discharge Size	3" NPT (optional 3" or 4" flange available)
Solids Handling		2-1/2" (63 mm) spherical solids)	
Cord Length		25' (8 m) standard	
Cord Type		UL listed power and sensor cord	
Max. Head		65' (19.8 m)	
Max. Flow Rate		590 GPM (2,233 LPM)	
Max. Operating Temp.		104 °F (40 °C)	
Cooling		Oil filled with finned housings	
Motor Protection		Thermal sensors and moisture sensors	
MATERIALS	Upper Bearing	Oversized ball bearing	
	Lower Bearing	Oversized ball bearing	
	Mechanical Seals	Carbon and ceramic with stainless steel parts	
	Impeller Type	Semi-open	
	Impeller	Ductile iron	
	Hardware	Stainless steel	
	Gasket	Buna-N square ring seals	

All Class 30 cast iron construction.

NOTE: See model comparison chart for specific details.

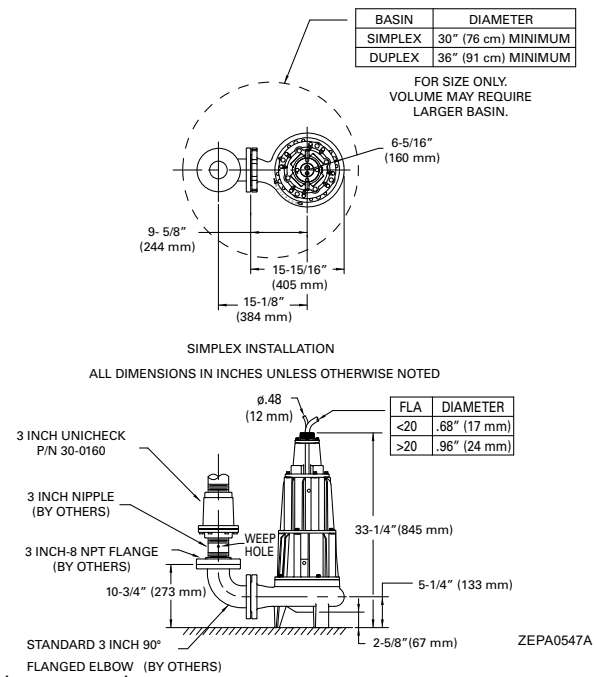


3" NPT DISCHARGE



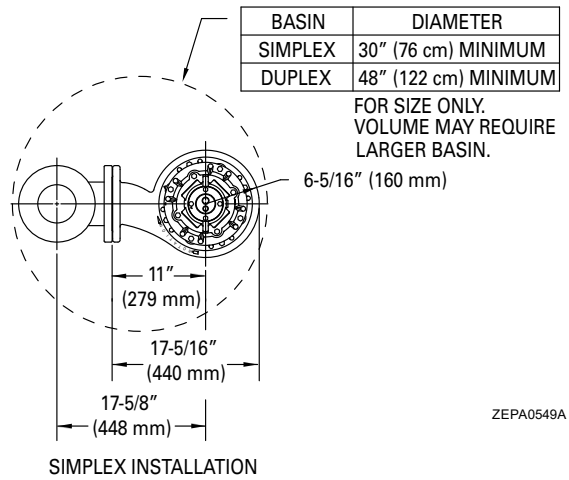
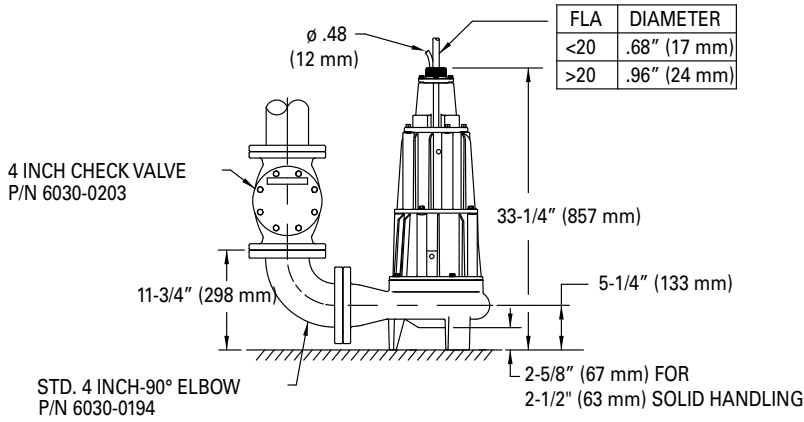
ZEPA0548A

3" FLANGED DISCHARGE



ZEPA0547A

4" FLANGED DISCHARGE

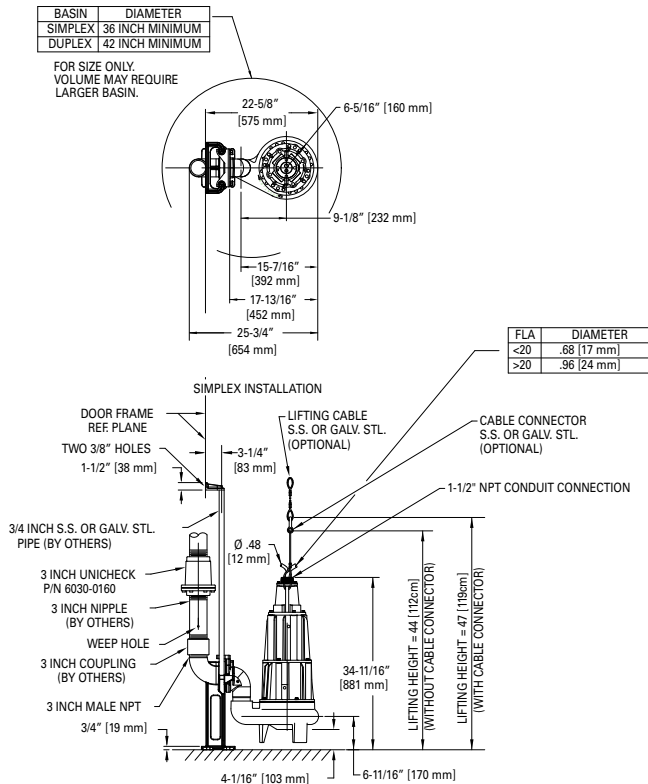


ALL DIMENSIONS IN INCHES UNLESS OTHERWISE NOTED

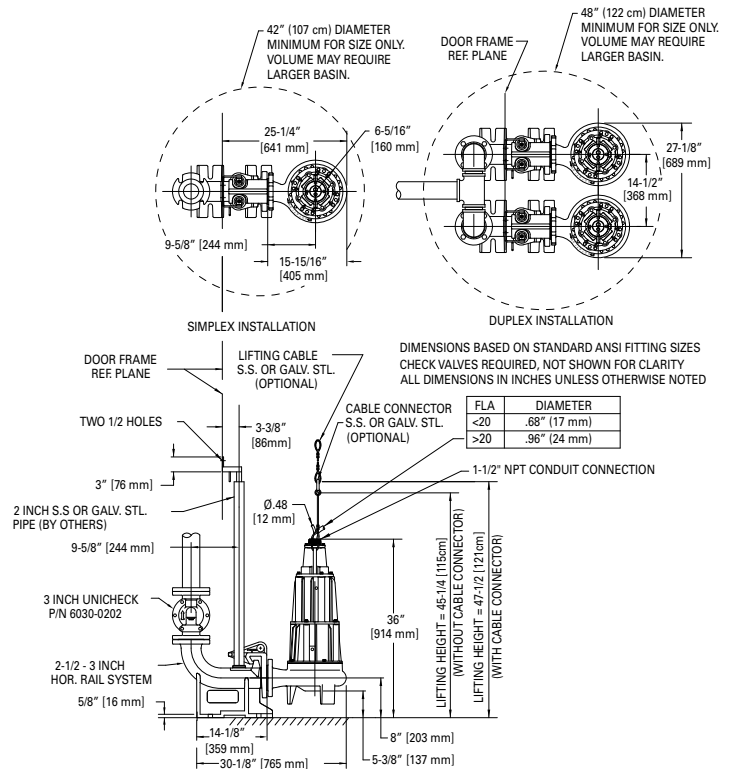
ZEPA0549A

"NON-SPARKING" RAIL SYSTEM DIMENSIONAL DATA

3" NPT VERTICAL DISCHARGE P/N 39-0124 & 39-0125 RAIL SYSTEMS



3" FLANGED HORIZONTAL DISCHARGE P/N 39-0095 RAIL SYSTEM



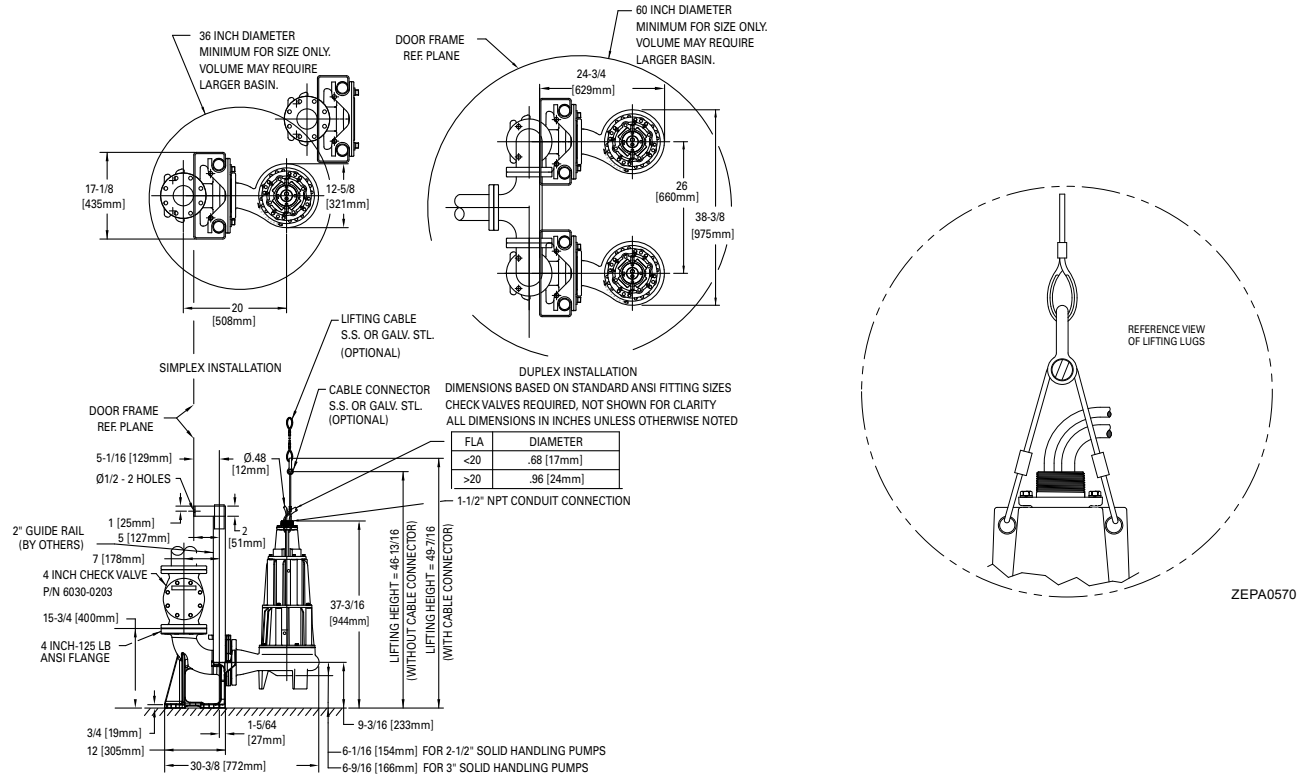
ZEPA0550A

ZEPA0551B

"NON-SPARKING" RAIL SYSTEM DIMENSIONAL DATA

4" FLANGED HORIZONTAL DISCHARGE

P/N 39-0155 RAIL SYSTEM



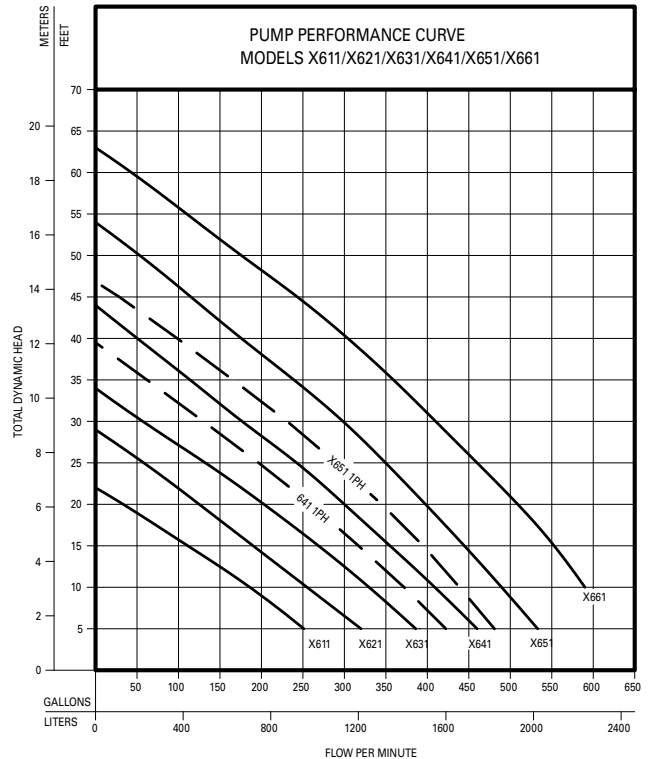
ZEPA0552B

TOTAL DYNAMIC HEAD FLOW PER MINUTE

MODEL	X611		X621		X631		X641 (1PH)		
	Feet	Meters	Gal.	Liters	Gal.	Liters	Gal.	Liters	
5	1.5	250	946	320	1211	390	1476	420	1590
10	3.0	185	700	255	965	335	1268	370	1401
15	4.6	110	416	190	719	272	1030	319	1208
20	6.1	35	132	125	473	200	757	260	984
25	7.6	--	--	60	227	130	492	198	750
30	9.1	--	--	--	--	55	208	130	492
35	10.7	--	--	--	--	--	--	62	235
40	12.2	--	--	--	--	--	--	--	--
45	13.7	--	--	--	--	--	--	--	--
50	15.2	--	--	--	--	--	--	--	--
55	16.7	--	--	--	--	--	--	--	--
60	18.2	--	--	--	--	--	--	--	--
Shut-off Head:		22 ft.(6.7m)		29 ft.(8.8m)		34 ft.(10.4m)		39.5 ft.(12.0m)	

MODEL	X641		X651 (1PH)		X651		X661		
	Feet	Meters	Gal.	Liters	Gal.	Liters	Gal.	Liters	
5	1.5	460	1741	475	1798	533	2018	--	--
10	3.0	410	1552	440	1666	490	1855	590	2233
15	4.6	355	1343	395	1495	445	1685	555	2101
20	6.1	300	1136	345	1306	398	1507	510	1931
25	7.6	245	927	290	1098	350	1325	460	1741
30	9.1	175	662	232	878	300	1136	410	1552
35	10.7	115	435	165	625	240	908	360	1363
40	12.2	50	189	95	360	175	662	305	1155
45	13.7	--	--	25	95	115	435	245	927
50	15.2	--	--	--	--	55	208	175	662
55	16.7	--	--	--	--	--	--	110	416
60	18.2	--	--	--	--	--	--	45	170
Shut-off Head:		44 ft.(13.4m)		46.5 ft.(14.2m)		54 ft.(16.5m)		63 ft.(19.2m)	

013859X



013859X

Model	MODEL COMPARISON								
	Seal	Mode	Volts	Ph	Amps	HP	Hz	Lbs	Kg
* EX611	Double	Non	230	1	6.9	1	60	295	133
JX611	Double	Non	200	3	4.8	1	60	295	133
FX611	Double	Non	230	3	4.2	1	60	295	133
GX611	Double	Non	460	3	2.1	1	60	295	133
BAX611	Double	Non	575	3	1.7	1	60	295	133
* EX621	Double	Non	230	1	8.9	1-1/2	60	295	133
JX621	Double	Non	200	3	5.9	1-1/2	60	295	133
FX621	Double	Non	230	3	5.1	1-1/2	60	295	133
GX621	Double	Non	460	3	2.6	1-1/2	60	295	133
BAX621	Double	Non	575	3	2.0	1-1/2	60	295	133
* EX631	Double	Non	230	1	14.5	2	60	295	133
JX631	Double	Non	200	3	7.8	2	60	295	133
FX631	Double	Non	230	3	6.8	2	60	295	133
GX631	Double	Non	460	3	3.4	2	60	295	133
BAX631	Double	Non	575	3	2.7	2	60	295	133
* EX641	Double	Non	230	1	17.0	3	60	295	133
JX641	Double	Non	200	3	11.0	3	60	295	133
FX641	Double	Non	230	3	9.6	3	60	295	133
GX641	Double	Non	460	3	4.8	3	60	295	133
BAX641	Double	Non	575	3	3.9	3	60	295	133
* EX651	Double	Non	230	1	28.0	5	60	295	133
JX651	Double	Non	200	3	17.5	5	60	295	133
FX651	Double	Non	230	3	15.2	5	60	295	133
GX651	Double	Non	460	3	7.6	5	60	295	133
BAX651	Double	Non	575	3	6.1	5	60	295	133
JX661	Double	Non	200	3	25.3	7-1/2	60	295	133
FX661	Double	Non	230	3	22.0	7-1/2	60	295	133
GX661	Double	Non	460	3	11.0	7-1/2	60	295	133
BAX661	Double	Non	575	3	9.0	7-1/2	60	295	133

* All single phase units require external starting capacity and relay circuits.
Additional cord lengths are available in 35' (11 m) and 50' (15 m).
All models are, cCSAus approved
tested to FM Standards 3600 & 3615 by CSA

SELECTION GUIDE

1. See FM1705 for correct intrinsically-safe simplex or duplex panel.
2. See FM0526 for variable level control switches rated 30VDC are used as a control activator. Quantity required dependent upon panel selection.

CAUTION

All installation of controls, protection devices and wiring should be done by a qualified licensed electrician. All electrical and safety codes should be followed including the most recent National Electrical Code (NEC) and the Occupational Safety and Health Act (OSHA).